

# Fuse Blocks and Clips

For NANO<sup>®</sup> Surface Mount Fuses

## OMNI-BLOK<sup>®</sup> Fuse Block Molded Base Type



This low profile Omni-Blok<sup>®</sup> Fuse Block design is available with a choice of solder type terminals, Q.C. terminals or P.C. board mountable terminals. The PCB design is offered with either tin-plated brass terminals for normal applications or tin-plated beryllium copper terminals for use in caustic environments. These fuse blocks feature individual barriers which reinforce the fuse clips while providing greater protection against clip damage and electrical shock. The unique design permits self-alignment of clips to fuse cap. This, plus a one-piece clip/terminal assures low contact resistance. Multiple pole units may be broken apart to obtain desired number of poles.

**APPROVALS:** Recognized under the Components Program of Underwriters Laboratories and Certified by CSA.

**SPECIFICATIONS:**

**Electrical:** Solder Type — 10A, 300V.  
 Q.C. Type — 10A, 300V.  
 PCB Type — 10A, 300V.

**Dielectric Strength:** 1500V., Minimum.

**Clip/Terminals:** Tin-Plated Spring Brass, except pn 254121 is Tin-Plated Beryllium Copper.

**Base:** Black Thermoplastic, glass reinforced with UL 94V0 flammability rating.

**Ambient Temperature:** -40°C to +85°C.

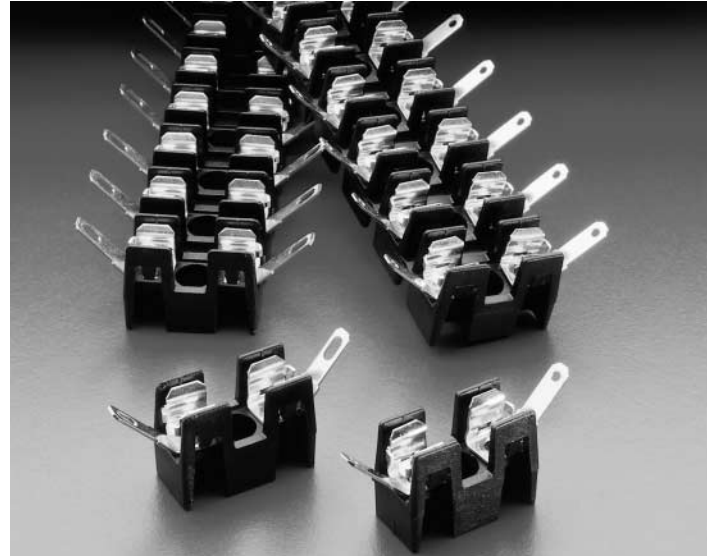
**OPTIONS:**

1. Other colors available on special order. Contact factory.
2. Two different style clips can be supplied for circuit identity or polarization. Contact factory.

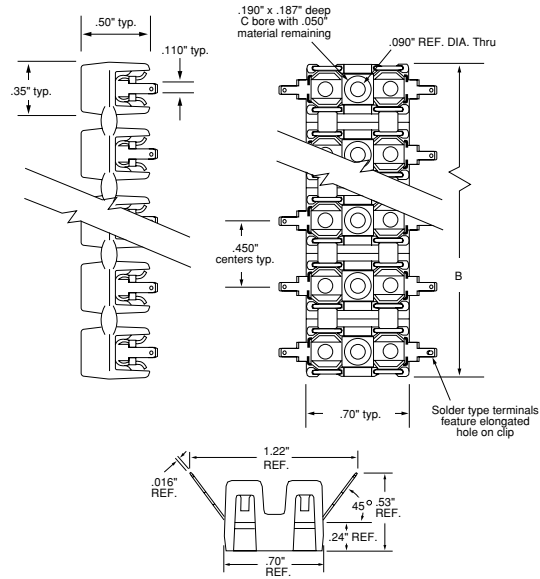
**PATENTED**

**ORDERING INFORMATION:**

Catalog Number	Number of Poles	Overall Width (B)	Typical Clip/Terminals
<b>Solder Type Terminals</b>			
254 001	1	0.35"	Brass
254 002	2	0.80"	Brass
254 003	3	1.25"	Brass
254 004	4	1.70"	Brass
254 005	5	2.15"	Brass
254 006	6	2.60"	Brass
254 007	7	3.05"	Brass
254 008	8	3.50"	Brass
<b>NEMA Style .110" Q.C. Terminals</b>			
254 201	1	0.35"	Brass
254 202	2	0.80"	Brass
254 203	3	1.25"	Brass
254 204	4	1.70"	Brass
254 205	5	2.15"	Brass
254 206	6	2.60"	Brass
254 207	7	3.05"	Brass
254 208	8	3.50"	Brass
<b>P.C. Board Mount</b>			
254 101	1	0.35"	Brass
254 121	1	0.35"	Beryllium Copper



Solder & Q.C. Types:



P.C. Board Mount Type:

